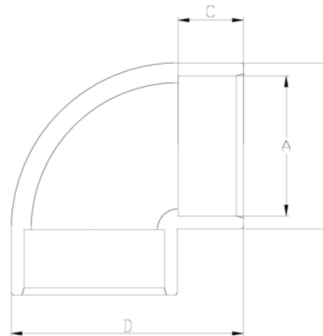


90° Elbow for PVC Metric Pipe



Product Code	Description	Net Weight	Volume	Gross Weight
101016	Elbow 90° 16	0.011	0.00473	1.79
101020	Elbow 90° 20	0.019	0.00892	2.10
101025	Elbow 90° 25	0.031	0.00892	3.29
101032	Elbow 90° 32	0.056	0.02244	6.05
101040	Elbow 90° 40	0.092	0.03129	9.77
101050	Elbow 90° 50	0.141	0.06149	14.98
101063	Elbow 90° 63	0.260	0.06149	13.92
101075	Elbow 90° 75	0.417	0.0488	13.18
101090	Elbow 90° 90	0.695	0.04836	13.17
101110	Elbow 90° 110	1.083	0.04880	11.40
101125	Elbow 90° 125	1.471	0.04717	9.51
101140	Elbow 90° 140	2.149	0.06347	13.68
101160	Elbow 90° 160	2.931	0.06150	12.64
101200	Elbow 90° 200	4.665	0.04836	10.00
101225	Elbow 90° 225	6.108	0.04717	7.53
101250	Elbow 90° 250	9.488	0.04717	9.49
101315	Elbow 90° 315	16.600	0.16000	18.98



Product Code	A	Weight (g)	B	C	D	PN	Measurement
101016	16	11.4	22	15	35	PN16	Metric
101020	20	15	27	16	41	PN16	Metric
101025	25	30	33	19	50	PN16	Metric
101032	32	53	41	22	61	PN16	Metric
101040	40	92	50	26	74	PN16	Metric
101050	50	136	61	31	88	PN16	Metric
101063	63	257	76	38	109	PN16	Metric
101075	75	413	90	44	130	PN16	Metric
101090	90	690	108	51	151	PN16	Metric
101110	110	1244	131	61	184	PN16	Metric
101125	125	1526	143	69	210	PN16	Metric
101140	140	2410	164	76	234	PN16	Metric
101160	160	2854	182	86	265	PN16	Metric
101200	200	4476	225	106	320	PN16	Metric
101225	225	9633	252	119	262	PN16	Metric
101250	250	12248	284	131	400	PN16	Metric
101315	315	16600	355	164	501	PN16	Metric